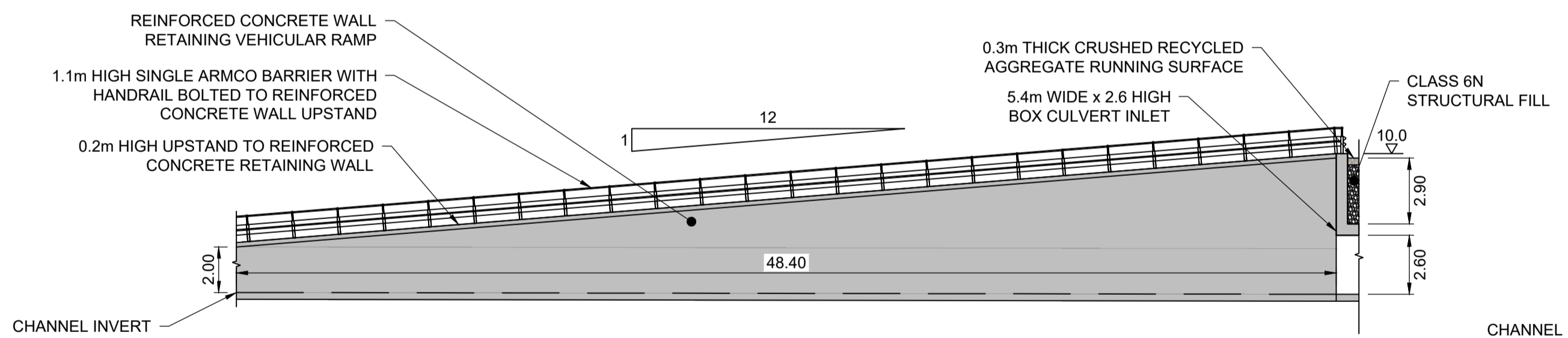
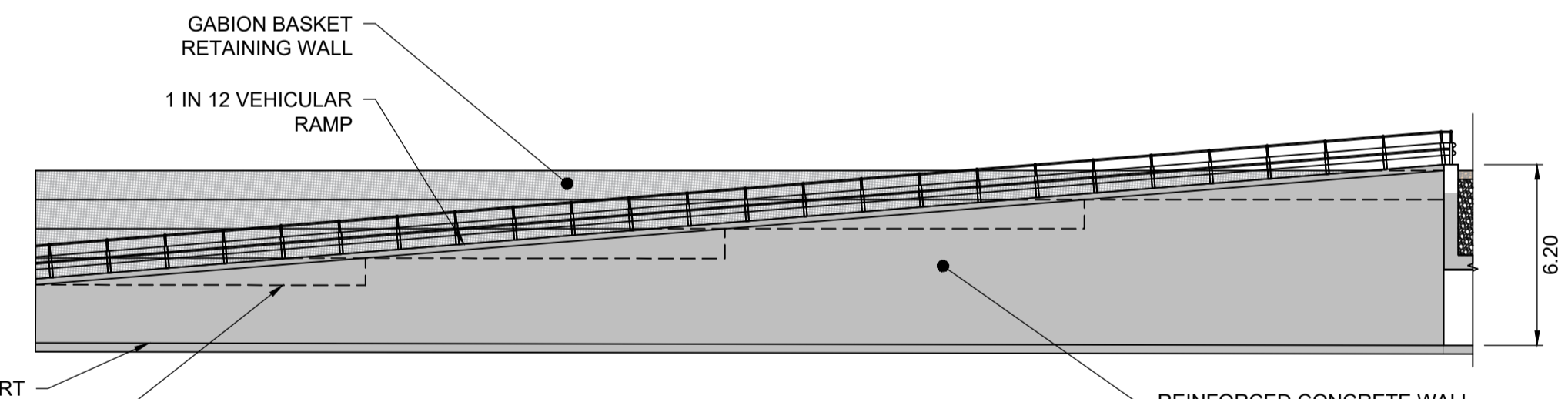


SOUTH BANK CHANNEL HEADWALL AND ACCESS RAMP TYPICAL DETAIL

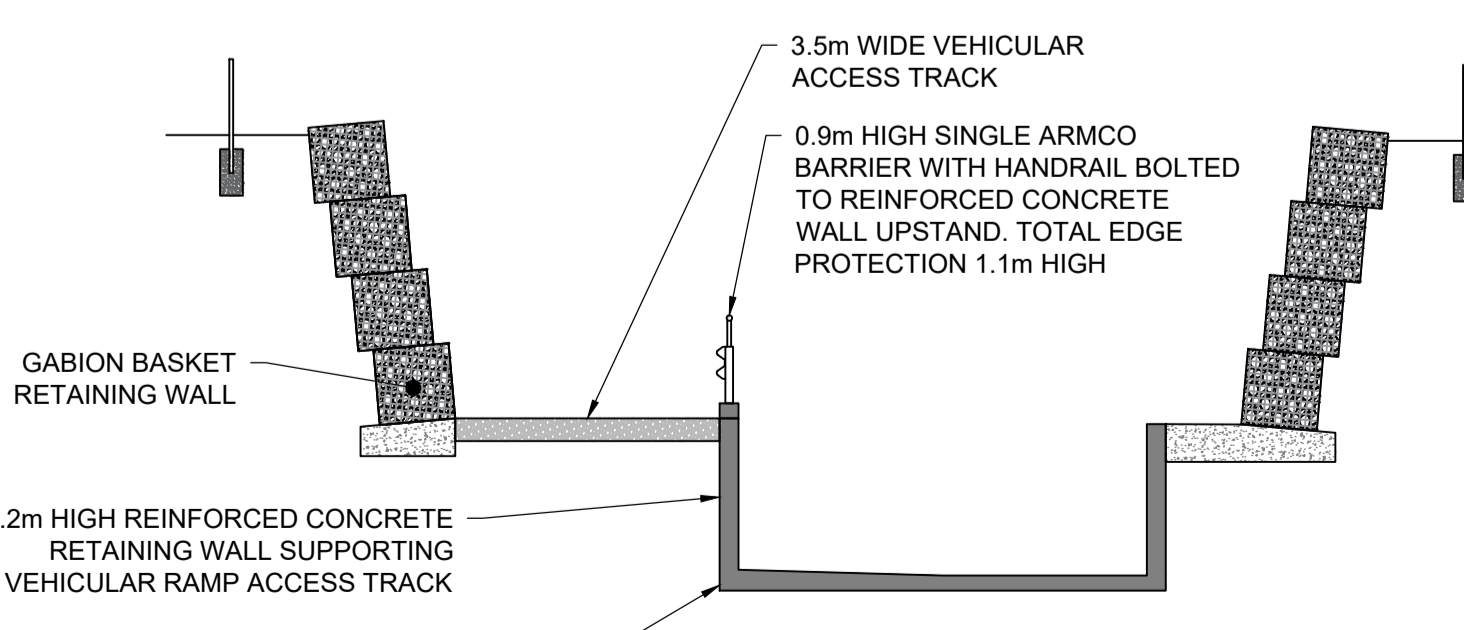
1:200



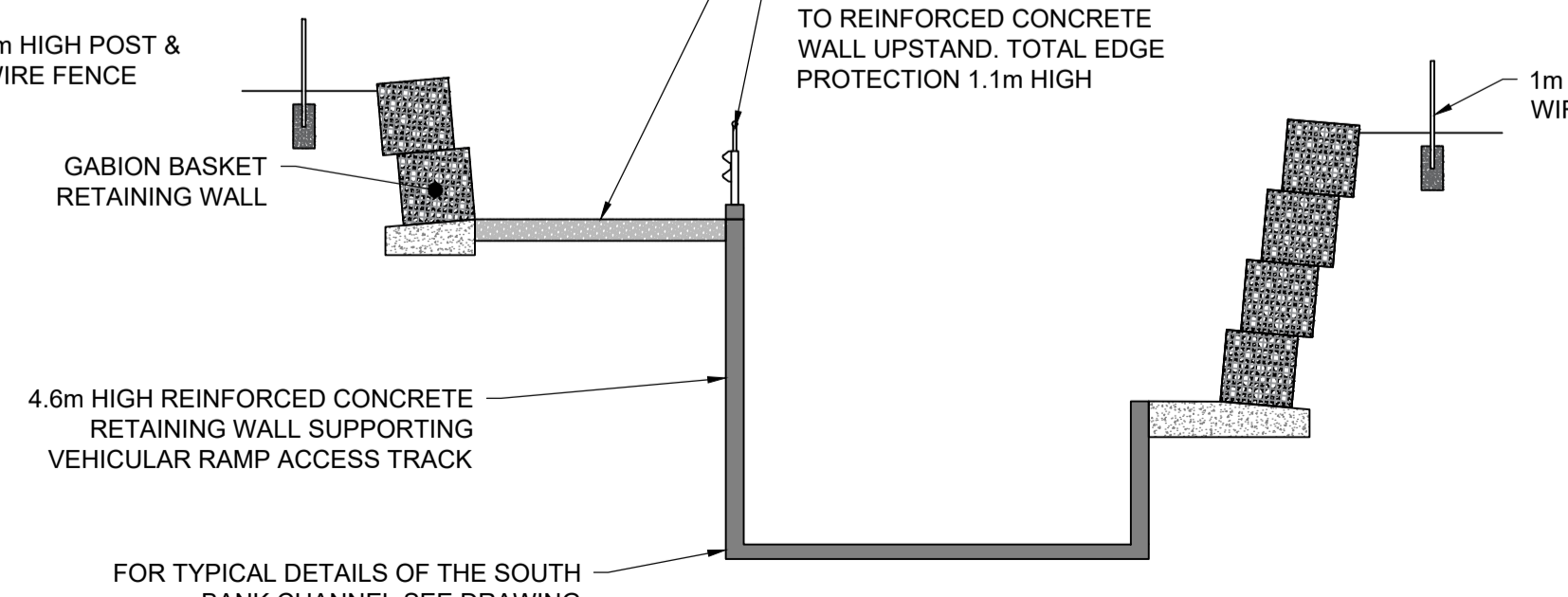
SECTION A-A
1:200



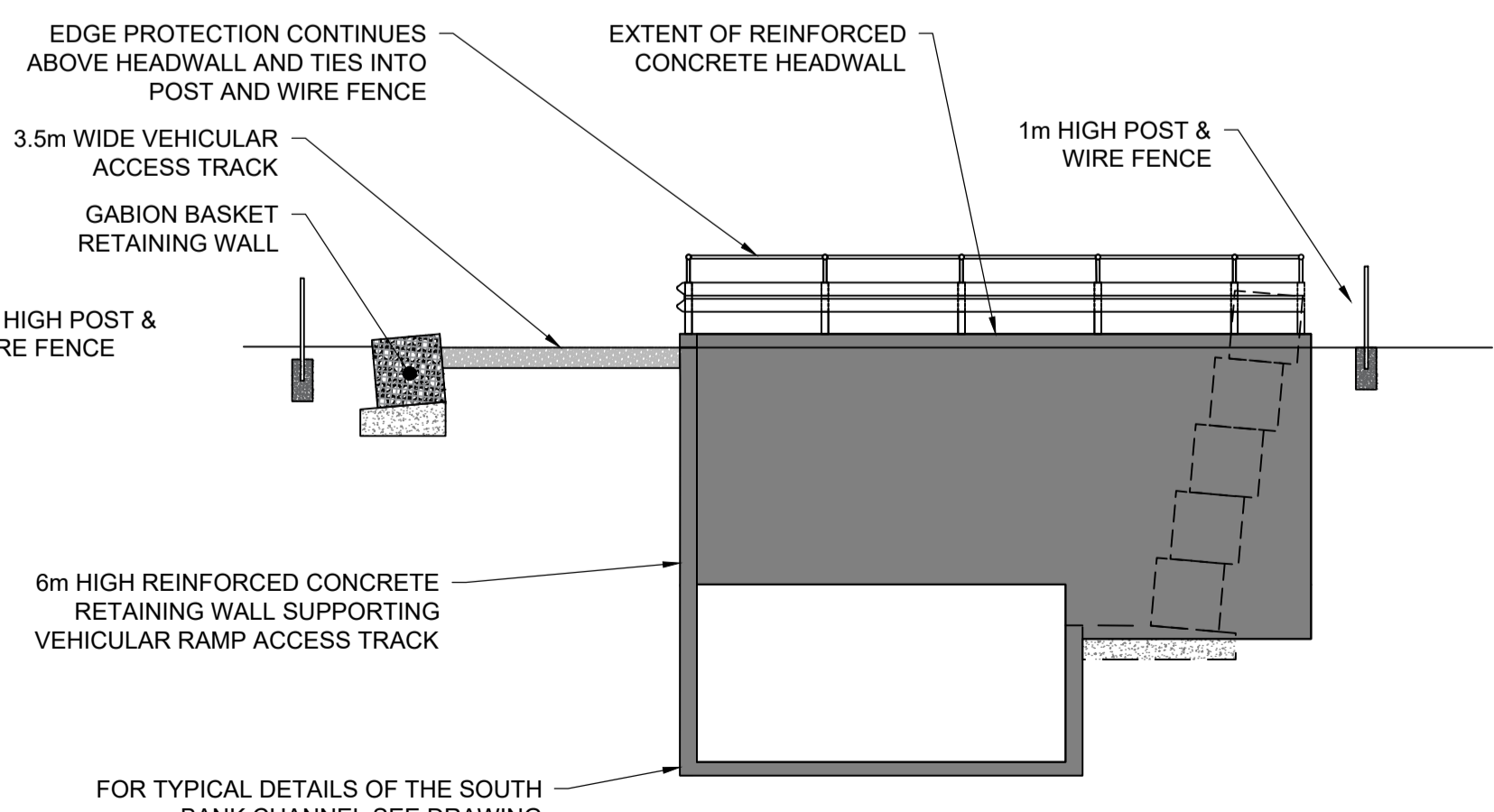
SECTIONAL ELEVATION A-A
1:200



SECTION B-B
1:100



SECTION C-C
1:100



SECTION D-D
1:100

1	Working near water	Working near water	Working near water
2	Unknown ground conditions		
3	Deep excavations		
4	Contaminated ground		
5	COMAH site	COMAH site	COMAH site
No.	Construction Risk	Maintenance Risk	Demolition Risk

SAFETY, HEALTH AND ENVIRONMENTAL INFORMATION BOX

- Drawing Notes**
- This drawing is to be read in conjunction with:-
 - TW-SIZ-XX-JBAU-SB-00-DR-C-0001-Holme_Beck_Key_Plan
 - TW-SIZ-XX-JBAU-SB-00-DR-C-0002-Holme_Beck_General_Arrangement_High_Tip_West
 - TW-SIZ-XX-JBAU-SB-00-DR-C-0003-Holme_Beck_General_Arrangement_High_Tip_North
 - TW-SIZ-XX-JBAU-SB-00-DR-C-0004-Holme_Beck_General_Arrangement_Inter_Tidal_Channel
 - TW-SIZ-XX-JBAU-SB-00-DR-C-0101-Holme_Beck_Long_Section_Sheet_1_of_4
 - TW-SIZ-XX-JBAU-SB-00-DR-C-0102-Holme_Beck_Long_Section_Sheet_2_of_4
 - TW-SIZ-XX-JBAU-SB-00-DR-C-0103-Holme_Beck_Long_Section_Sheet_3_of_4
 - TW-SIZ-XX-JBAU-SB-00-DR-C-0104-Holme_Beck_Long_Section_Sheet_4_of_4
 - TW-SIZ-XX-JBAU-SB-00-DR-C-0201-Holme_Beck_Cross_Sections_Sheet_1_of_3
 - TW-SIZ-XX-JBAU-SB-00-DR-C-0202-Holme_Beck_Cross_Sections_Sheet_2_of_3
 - TW-SIZ-XX-JBAU-SB-00-DR-C-0203-Holme_Beck_Cross_Sections_Sheet_3_of_3
 - TW-SIZ-XX-JBAU-SB-00-DR-C-0301-South_Bank_Details_Sheet_1_of_4
 - TW-SIZ-XX-JBAU-SB-00-DR-C-0302-South_Bank_Details_Sheet_2_of_4
 - TW-SIZ-XX-JBAU-SB-00-DR-C-0303-South_Bank_Details_Sheet_3_of_4
 - TW-SIZ-XX-JBAU-SB-00-DR-C-0304-South_Bank_Details_Sheet_4_of_4
 - All dimensions are in metres unless noted otherwise.
 - All levels are in metres relative to ordnance datum Newlyn (mAOD) unless noted otherwise.
 - All coordinates are in metres relative to ordnance survey national grid.
 - Do not scale from this drawing. All dimensions must be checked/verified on site.
 - For clarity purposes existing and proposed services have been omitted from this drawing.

LEGEND

	GABION BASKET RETAINING WALL
	VEGETATED VERGE
	3.5m WIDE VEHICULAR ACCESS TRACK
	POST AND WIRE FENCE
	INSITU CONCRETE ELEMENT
	REINFORCED CONCRETE ELEMENT
	RECYCLED CRUSHED AGGREGATE HARD STANDING
	SERVICE CORRIDOR (DESIGNED BY OTHERS)
	SHARED USE FOOTPATH (DESIGNED BY OTHERS)
	HIGHWAY (DESIGNED BY OTHERS)

C01	Comments	Issued for Planning Permission								
Rev.:	Date	11/11/21	Drawn	JN	Designed	JA	Checked	ST	Approved	RD
P01	Comments	First Issue								
Rev.:	Date	11/10/21	Drawn	MM	Designed	JA	Checked	ST	Approved	RD

Client Approval

A - Approved

B - Approved with Revisions

C - Do Not Use

Unit 2.1
Quantum Court
Research Avenue South
Heriot Watt University
EDINBURGH
EH14 4AP
United Kingdom
T +44 (0)131 3192 940
E info@jbaconsulting.com
www.jbaconsulting.com
Twitter @JBAConsulting



Project
South Bank Arterial Drainage

Title
South Bank
Headwall & Access Ramp
Details 1 of 4
for

Client

The property of this drawing and design vested in Jeremy Benn Associates Ltd. It shall not be reproduced in whole or in part, nor disclosed to a third party, without the prior written consent of Jeremy Benn Associates Ltd.

Drawn:	M. Morrison	06/09/2021	Designed:	J. Alcock	06/09/2021
Checked:	S. Thomson	11/10/2021	Approved:	R. Dobson	11/10/2021
Project Reference:	2021s1087		Scale:	As Shown @ A1	
Drawing Number:	TW-SIZ-XX-JBAU-SB-00-DR-C-0301	Status:	A1	Revision:	C01
		Sheet Size:	A1		